

DUNE NOMAD LITE ROOFTOP TENT

INSTRUCTION MANUAL

IMPORTANT: You must have roof racks correctly fitted to your vehicle. Please follow your roof rack manufacturer's instructions before installing the Rooftop tent.

CONTENTS

Before using this product, please follow the instruction manual to ensure proper use.

Products Brief Instruction:

1.Product Brief Instruction-----	1
2.Product Specification-----	1
3.Product Frame-----	1

Installation

1.Installing Your Roof Tent-----	2
2.Setting up-----	4
3.Folding down-----	6

Malfunction and Solution-----	8
-------------------------------	---

Product description :

This semi-auto roof top tent could be set up easily by 2 persons, set up and fold down in seconds with patented gas strut assisted opening mechanism. Enjoy the outdoor life in whatever weather !

Material and specification :

- A. The whole frame uses aluminium alloy parts whilst using strong 100% virgin nylon.
- B. Double layer silver coating treatment for outer tent material to offer better heat insulation and waterproof.
- C. Good quality 50mm foam mattress provides comfortable sleep experience.
- D. Telescopic aluminium alloy ladder is removable and endure 150kg

Fly: 210D rip-stop polyoxford PU 3000mm with 3 layer silver coating

Inner: 190G rip-stop polycotton PU 2000mm

Floor: 210D polyoxford PU 2000mm

Frame: Alu. Alloy

Cover: Durable 600D oxford with PVC coating, PU5000mm

Structure :

1.4m:

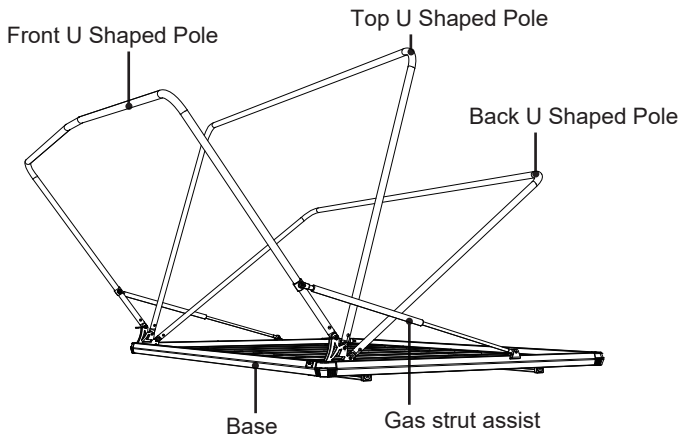
Tent fully closed size: 218(L) X 148(W) X 22(H) cm

Fully open inner size: 205(L) X 140(W) X 90/125(H) cm

Packing size: 227 X 158 X 28cm

N.W.: 48KG(Include the ladder) G.W.: 62KG

Product Frame :



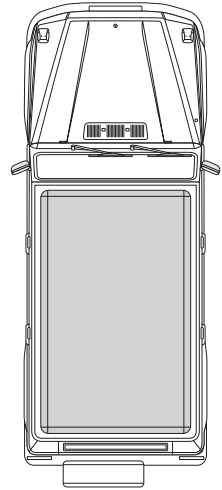
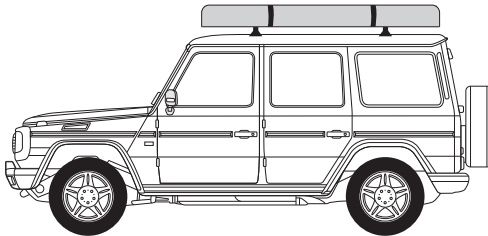
Main Properties and Characteristics.

- 1) Pull down the strap to fold down the roof tent.
- 2) Release the strap, the roof tent will be set up by gas spring.

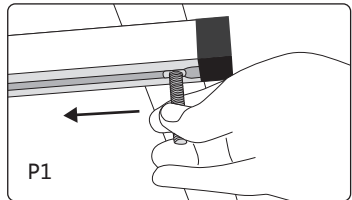
Installation:

1. Install your roof rack per the manufacturers instructions and in the load bearing position on the vehicle.

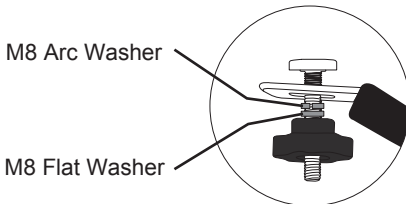
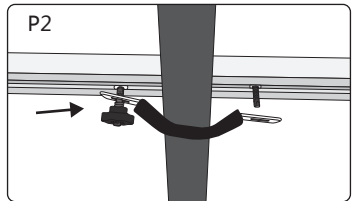
2. Lift up the tent onto the rack from car side. Adjust the tent to the roof center, ensuring the rear door can be opened/closed.



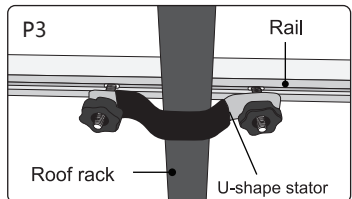
3. Slide the T Shape Bolts into the rails from two sides(as P1).



4. Slide T Shape Bolts into the middle hole of rail, with U-Shape Stator, M8 Arc Washer, M8 Flat Washer, and Plastic Nut lightly screwed in advance.(as P2)



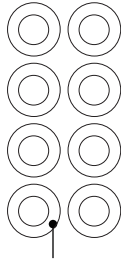
5. Screw the other side of U Shaped Stator with component in order as above, and ensure Stator tightened(as P3, same operation for rest).



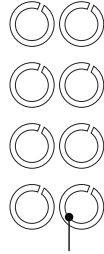
INCLUDED TOOLS:



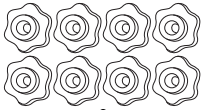
U Shape Stator(4pcs)



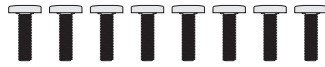
M8 Flat Washer(8pcs)



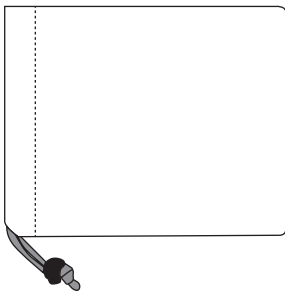
M8 Arc Washer(8pcs)



Plastic Nut(8pcs)



M8*50mm
T shape bolts(8pcs)



Tool Bag



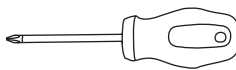
M8*35mm
T shape bolts(8pcs)



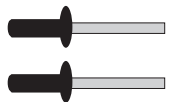
8-10 open spanner(1pc)



6mm Hex Key(1pc)



6xL100
cross screwdriver(1pc)



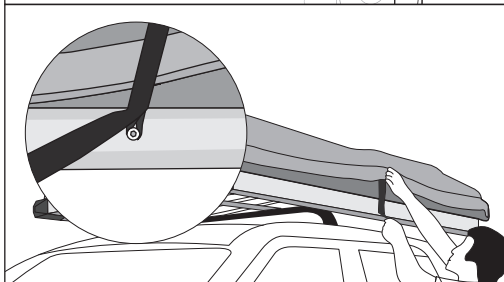
Aluminum Rivet(2pcs)

Setting up:

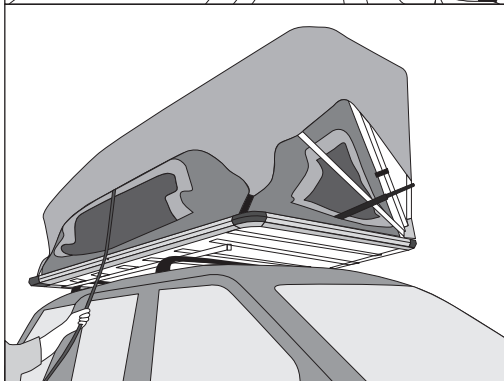
1. Remove the tent PVC cover.



2. Release the adjustable webbing loop from the fixed button.

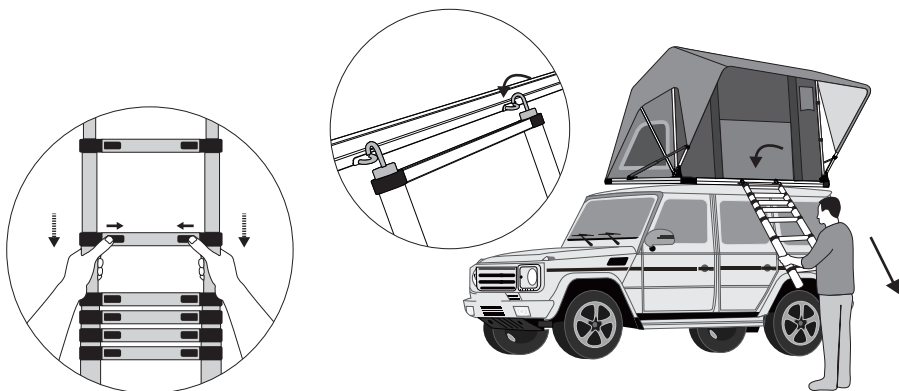


3. Then the roof tent open automatically.



Setting up:

4. Fix the telescopic ladder between the plastic clamp then extend it downwards.

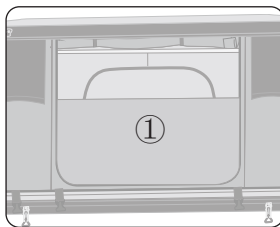


5. The tent setting up is done.

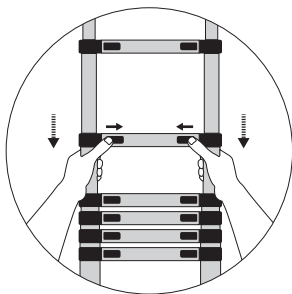


Folding down:

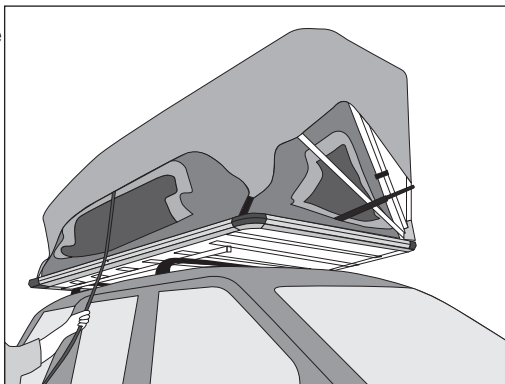
1. Close all windows. Zip up the front door to two thirds position(as ①). Tuck shoes bags inside(as ②).



2. Take off the telescopic ladder and store it well in the car.

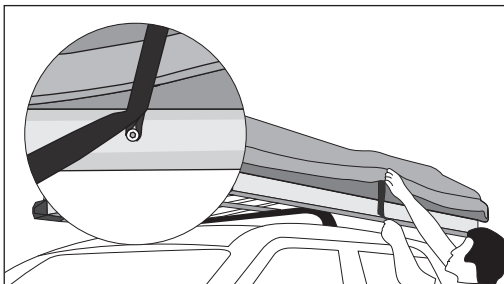


3. Pulling the webbing from back to collapse the tent.
(Keep angle close to tent when pulling)



Folding down:

4. Fix the webbing loop onto the fixed button.



5. Fasten the roof tent cover.



Tips & Tricks

- ◆ Always ensure the tent is dry before packing away.
- ◆ Keep the rail of the base clean and dry.
- Ensure ladder is always locked into place and angled away from vehicle, Make sure the tent is packed down completely and secured before driving.
- Ensure ladder is stored carefully. Ideally in vehicle avoiding any damage to inner tent material.

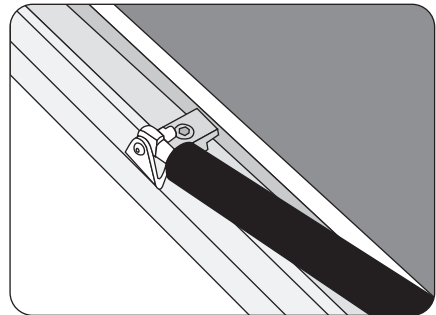
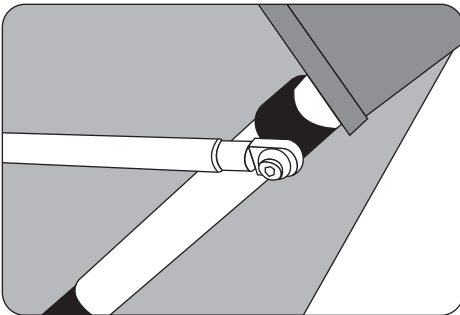
Important Information

1. When packing away the tent, ensure there is no other objects in the tent (Like sleeping bag, pillow).
2. Don't put heavy objects on the tent when the tent is closed.
3. Clean and wipe the tent with wet rag instead of machine washing or hand washing (But the cover of the mattress is washable).
4. Check the connecting points of the tents to the car; ensure all points are probably locked.
5. Please don't jump or other damaging behavior inside the tent or the car tent may probably get damaged due to uneven force.
6. Always keep the tent close when you are driving.
7. If the weather is very windy, please do not open the tent.
8. If there is abnormal noise when setting up or folding down the tent, please check the rail and all connection joints right away.

Problem and solution

If the tent stops working

- A. Check if the fabric is dragged into the supporting pole.
- B. Check if the gas-spring is leaking air or not, if yes, replace the gas spring right away. The replace job is quite simple (Releasing the both end of the gas spring with the screwdriver.) Like following photo.



Safety Information

- We recommend that you DO NOT drive over 70mph (110kmh) while using your rooftop tent and that you always adhere to speed limits.
- DO at the start of every journey and at regular intervals during every journey check that your roof tent is firmly fixed to your roof bars and that all of the locking straps are securely fastened. Only ever check your roof tent in a safe and suitable location.
- DO NOT use your roof tent if there is any visible damage to any part of it or its components, instead contact us to see how we can help. This is especially applicable to the locking straps and buckles.
- Understand that secured loads and incorrectly mounted roof bars can come lose during journeys and can cause serious accidents.
- Make sure that you give due consideration to the change in your vehicle height and drive behaviour (side-wind sensitivity, corner and braking behaviour).
- You must always consult your vehicle and roof bar manuals to ensure you are following their advice, these must be always be carried in your vehicle along with your roof tent safety and fitting instructions.
- Do not use bleach, alcohol or ammonia based cleaning liquids on your roof tent otherwise the surface of your roof tent may get damaged
- Please note the following when using your roof tent: –
 - The height of your vehicle can increase by up to 90cm (dependant on your roof bars).
 - Beware of low entrances, low hanging branches, etc.
 - Wind noise may be generated when travelling with a roof tent
 - When using an automatic car-wash facility, your roof tent must first be removed.

–In addition to these usage instructions, due consideration should also be given to mounting instructions for your roof bars and the operating instructions of your vehicle.

–For reasons of fuel economy and the safety of other road users, your roof tent and roof bars should be removed when not in use.

–For your safety, you should only use tested (e.g. GS–tested) roof bars that are authorised for usage in conjunction with your vehicle.

–In order to avoid generating excessive lifting forces, your roof tent should be mounted parallel to the line of the road and not at an angle

- When climbing in and out of your roof tent always use the ladder with due caution and never allow children to use it alone. Make sure the ladder hooks are in good condition, contact us if you need replacements.

- You must not allow any naked flames in or near your roof tent

Important Information

The manufacturer is not liable for any damage or accident that may occur as a result of non– compliance with these usage instructions, modifications made to parts or the usage of any parts other than the manufacturer’ s original parts. The warnings, cautions and instructions in this document can’ t cover every possible situation, so it is understood by the operator that common sense and caution must be applied. It is your responsibility to pass these instructions on to any third party who uses this roof tent, including second hand sales.

Warranty

The manufacturer’s warranty covers manufacturing faults and lasts one year within regular use. It is only valid if the instructions and recommendations in this document are adhered to and only applies to the first owner. Second hand sales are not covered.
