

285*210mm 车缝位在上

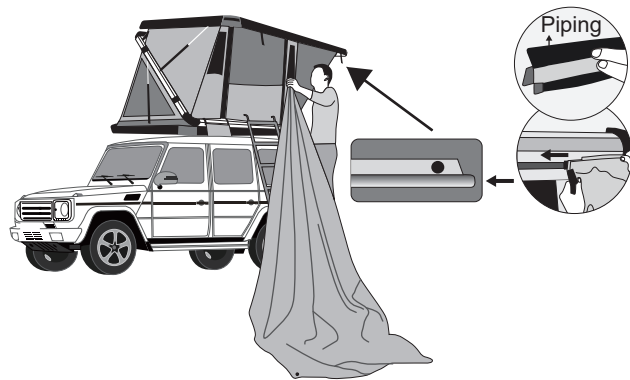
285mm

20mm

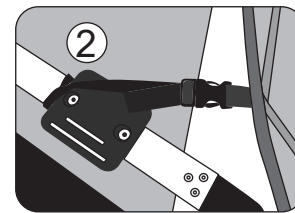
210mm

Instruction Manual for Dune 4WD Rooftop Tent Deluxe Cruiser Annex

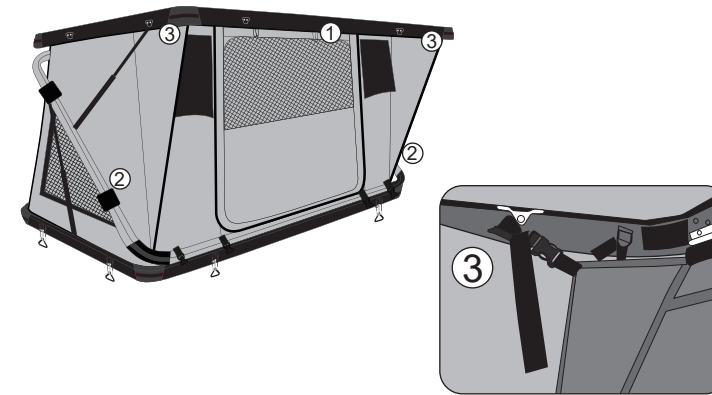
DUNE ROOFTOP TENT – DLX ANNEX
Article: 90173283



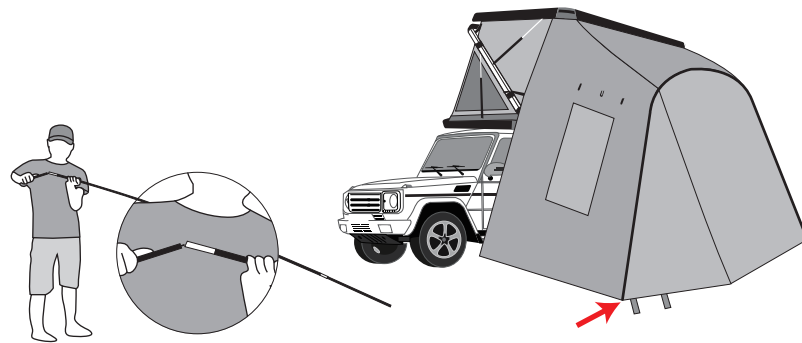
Step 1.
Take out the annex and slide the piping through the slot on roof tent.



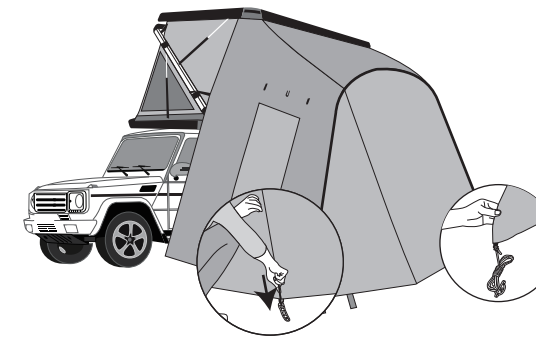
Step 2.
Locate the buckles webbing on roof tent point ②, then connect the buckles and adjust the length of webbing.



Step 3.
Locate the buckles webbing on roof tent point ③, then connect the buckles and adjust the length of webbing.



Step 4.
Assemble the pole to one complete pole and insert into sleeve.



Step 5.
Attach guy ropes into adjustable ladder. Insert peg into end of ladder and peg into the ground.

Note: Fix all fastenings, supporting rods, guy ropes, the awning can be used at ease.