

285\*210mm 车缝位在上

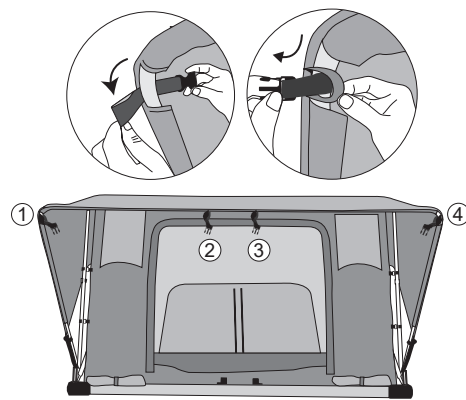
285mm

20mm

210mm

### Instruction Manual for Dune 4WD Rooftop Tent Canopy

DUNE ROOFTOP TENT – CANOPY  
Article: 90160976



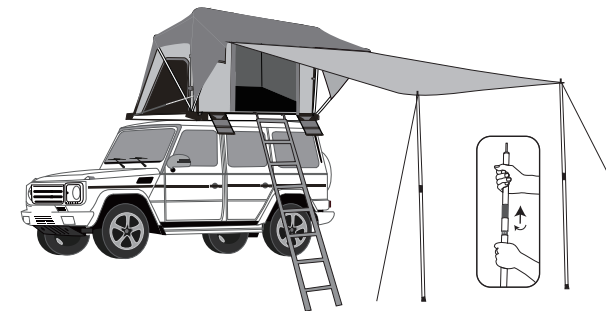
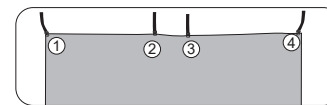
Step 1.  
Locate the buckle webbing on point 1, 2, 3, 4



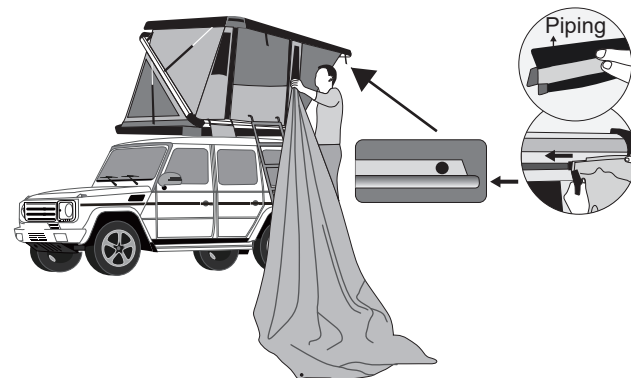
Step 2.  
Match the canopy's buckle.



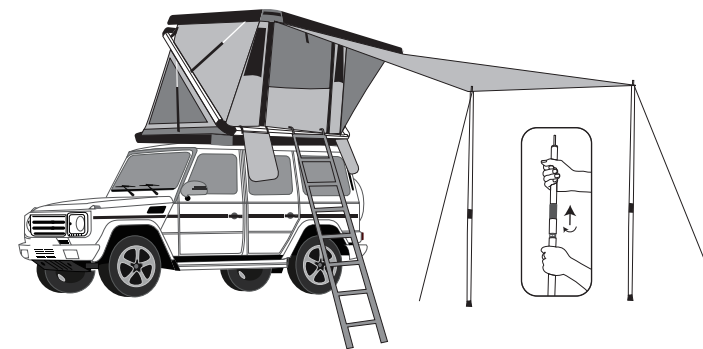
With point 1,2,3,4 buckles



Step 3.  
Take out the poles, set up the awning as canopy.  
Then secure the ground with PP rope.



Step 1.  
Take out the canopy and slide the piping through the slot on roof tent.



Step 2.  
Take out the poles, set up the awning as canopy.  
Then secure the ground with PP rope.

Note: Fix all fastenings, supporting rods, guy ropes, the awning can be used at ease.